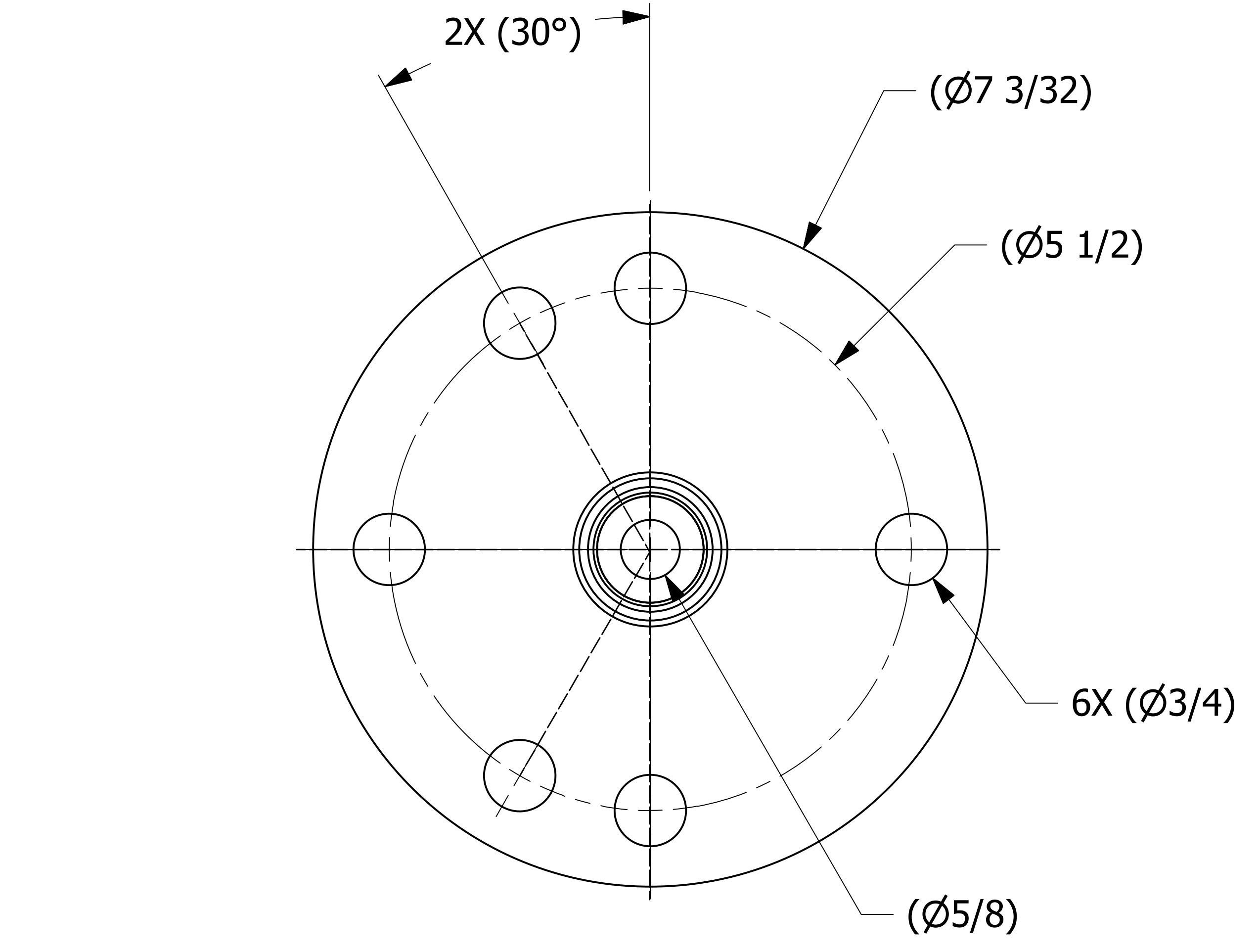
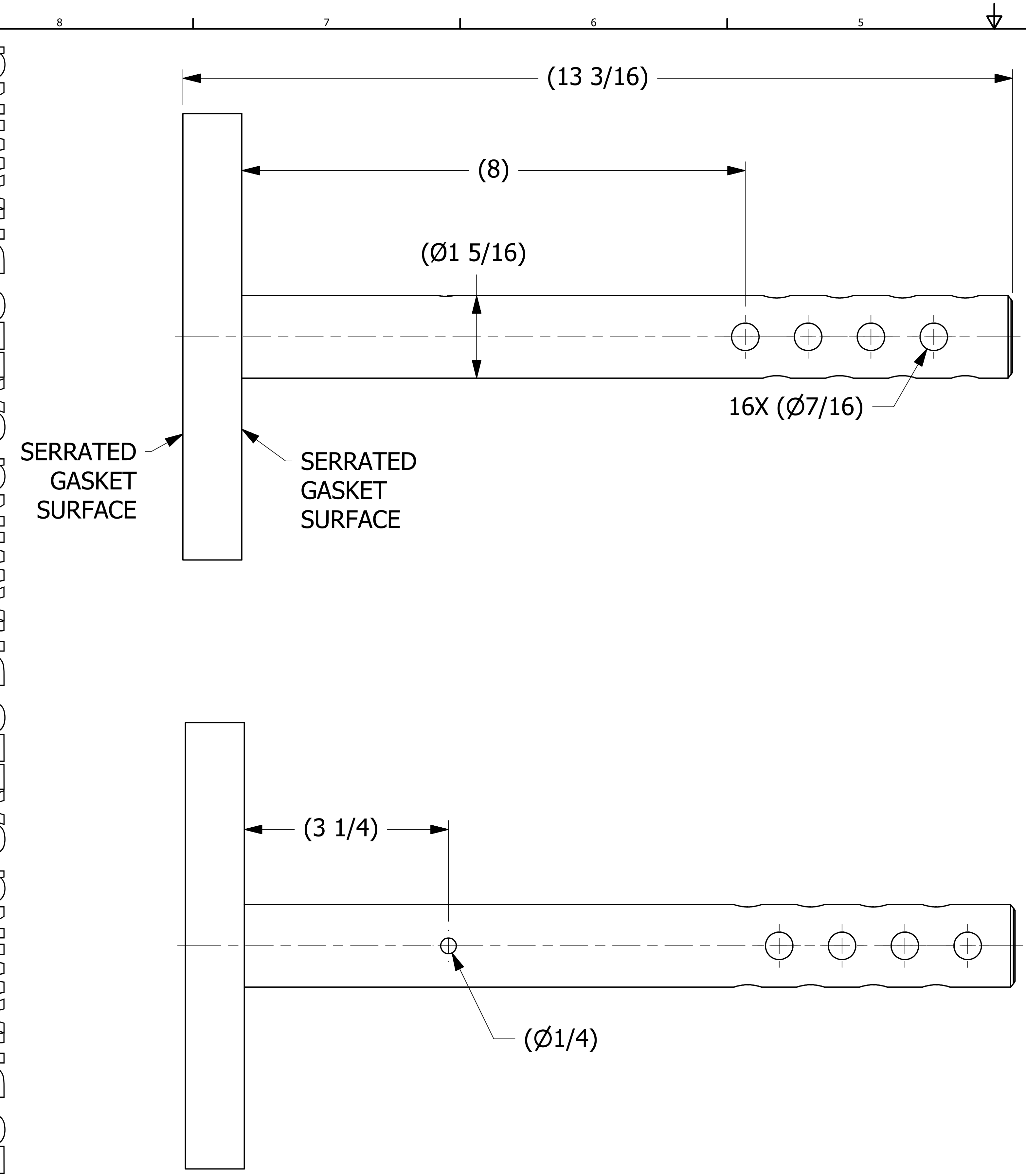


SALES DRAWING SALES DRAWING SALES DRAWING SALES DRAWING SALES DRAWING

SALES DRAWING SALES DRAWING SALES DRAWING SALES DRAWING SALES DRAWING



UNLESS OTHERWISE SPECIFIED DIMENSIONAL TOLERANCES FRACTIONAL: $\pm 1/16$ X.XX: $\pm .03$ X.XXX: $\pm .015$ ANGULAR: $\pm 1^\circ$ DEBURR ALL SHARP EDGES. ALL MACHINED SURFACES TO HAVE A 125 RMS FINISH UNLESS NOTED OTHERWISE. THIRD ANGLE PROJECTION	DRAWN BY:	BRG	E TAK 8/18/20 202008181448		TAK	
	CHECKED BY:	CHL	REV	BY	DATE	REF #
PART NAME:			SALCO PRODUCTS, INC.			
APPROVED FOR PRODUCTION BY:			SURGE PROTECTOR			
PRODUCTION DATE:			MATERIAL: SALCO PE			
SIZE:			PROJECT #: WAG0489			
DRAWING #:			D		SHEET #: 1 OF 1	
DRAWING #:			24522		SCALE: 1:1	
PART #:			HSSPRD7MT			